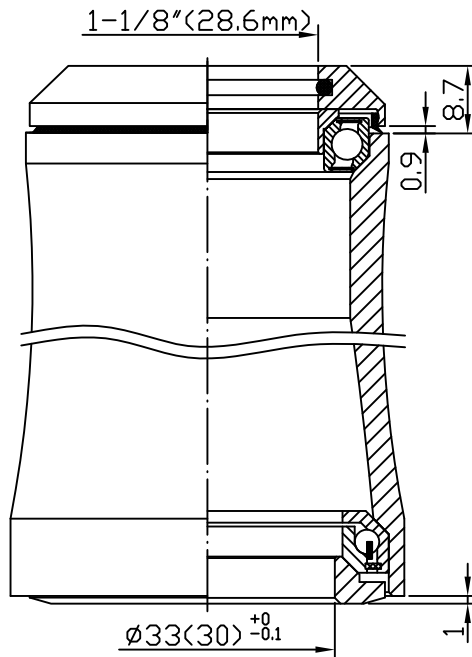


HEAD TUBE (頭管)

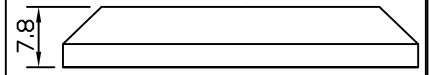
- 全隱藏式車頭碗組
- 1-1/4" 轉 1-1/8" 前叉立管
- 車頭管外徑上小下大
(建議頭管外徑上半部 46~47mm, 下半部 51mm)
- 鋁合金(6061)上塞
- 鋁合金(7075)下塞
(33mm 或 30mm 兩種內徑可選擇)
- 斜接觸角度密封軸承(下半部軸承加大)



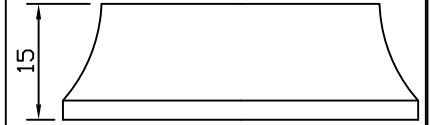
堆積高度(STACK HEIGHT)= $9.7 \pm 1mm$

可選配之上塞高度
(TOP COVER IS OPTIONAL)

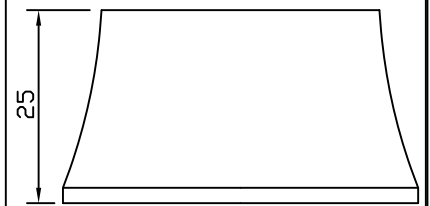
型號(MODEL NO.): H398



型號(MODEL NO.): H398M



型號(MODEL NO.): H398H



NO.	零件名稱 PART NAME	材質 MATERIAL	圖號 DRAWING NO.	台量 Q'TY	尺寸 DIM. DESCRIPTION
1	O形圈 O-RING	橡膠 NBR	120-8	1	ID28.5x ϕ 2
2	上塞 TOP COVER	鋁合金 6061/T6	51-3	1	1-1/8"
3	防塵蓋 DUST-RESISTED COVER	橡膠 NBR	51-0	1	
4	鋁斜管 COMPRESSION RING	鋁合金 6061/T6	51-2	1	1-1/8"
5	密封式軸承 AC SEALED BEARING	軸承鋼 SUJ2	NHB-6B	1	OD41.8x45°x45°
6	加大型卡式軸承 SUPER OVERSIZE CARTRIDGE BALL BEARING	軸承鋼 SUJ2	ACB415K	1	OD47x45°x45°
7	鋁下塞 CROWN RACE	鋁合金 7075/T6	398-6	1	$\phi 33(\phi 30) \pm 0.1$

- Full-integrated headset
- For 1-1/8" upper, 1-1/4" bottom steerer
- For different outerdiameter head tube
- 6061/T6 cnc machined top cover with seals
- 7075/T6 cnc machined crown race
(inner diameter 33mm or 30mm)
- Upper: angular contact sealed bearing
Lower: super oversize cartridge ball bearing

單位 UNIT	mm	比例 SCALE	1:1	日期 DRAWING DATE	2001.03.09	角法 VIEW	
型號 ITEM NO.	NECO 398/398M/398H						版次(REV):A
品名 PART NAME	H398/H398M/H398H 組立圖(Assembly Drawing)						
規格 DIMENSION	1-1/8" x42x47. 2x33(1-1/8" x42x47. 2x30)						
圖號 PART NO.	H398(H398M/H398H)-組立圖-A						
誌慶工業股份有限公司							